

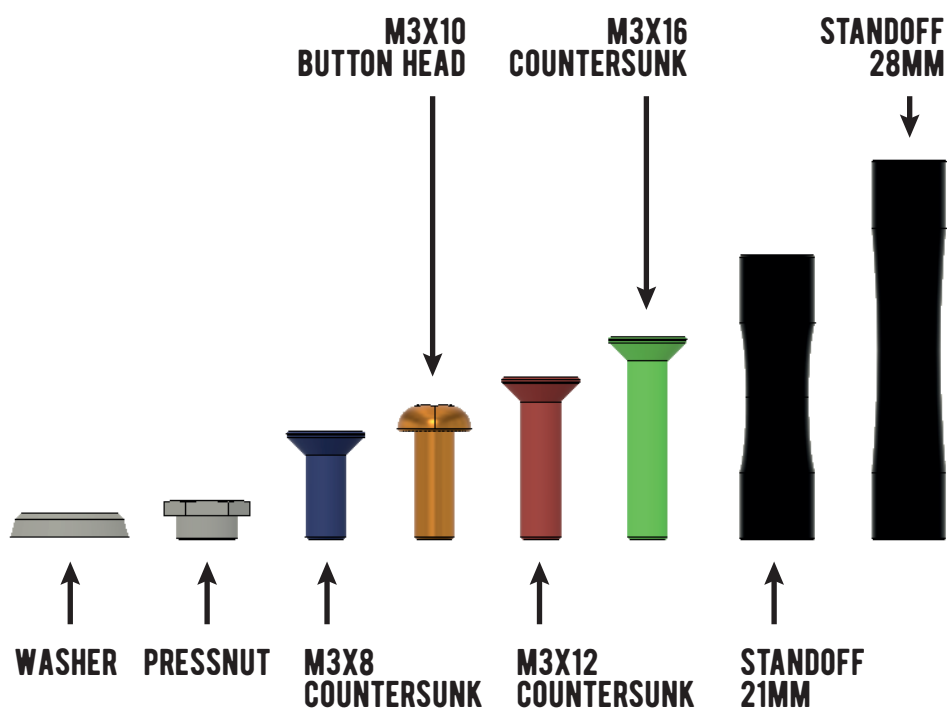
HOOK²

— THE NOTICE —

ENJOY YOUR BUILD!

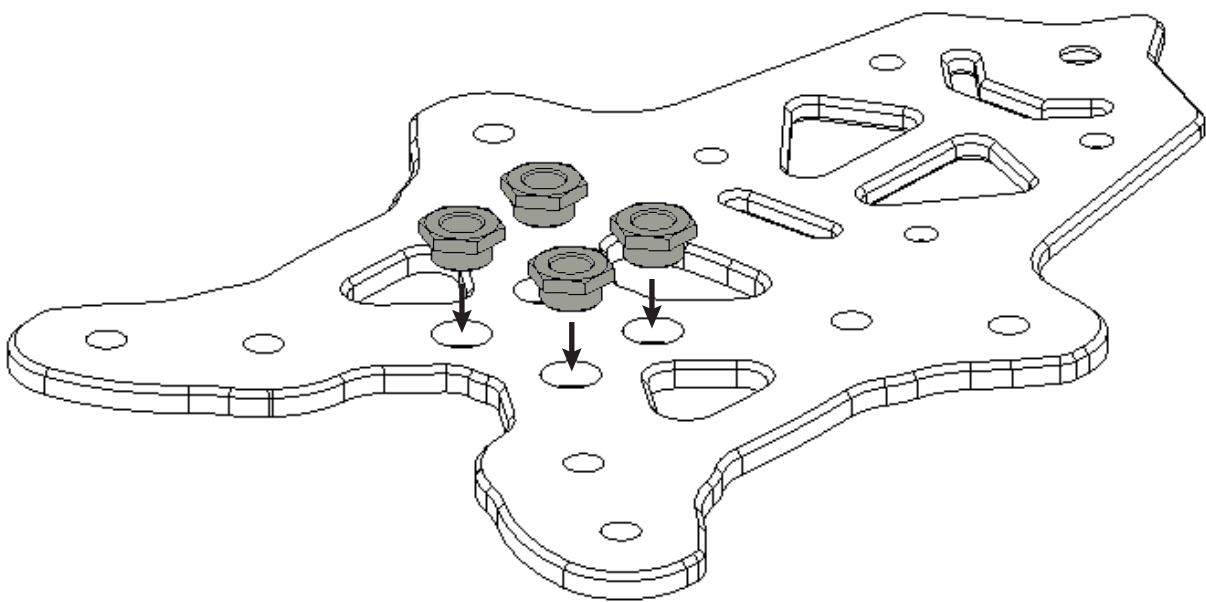
SCREWS SET

HERE WHAT YOU'LL FIND IN YOUR PACKAGE



PRESSNUTS

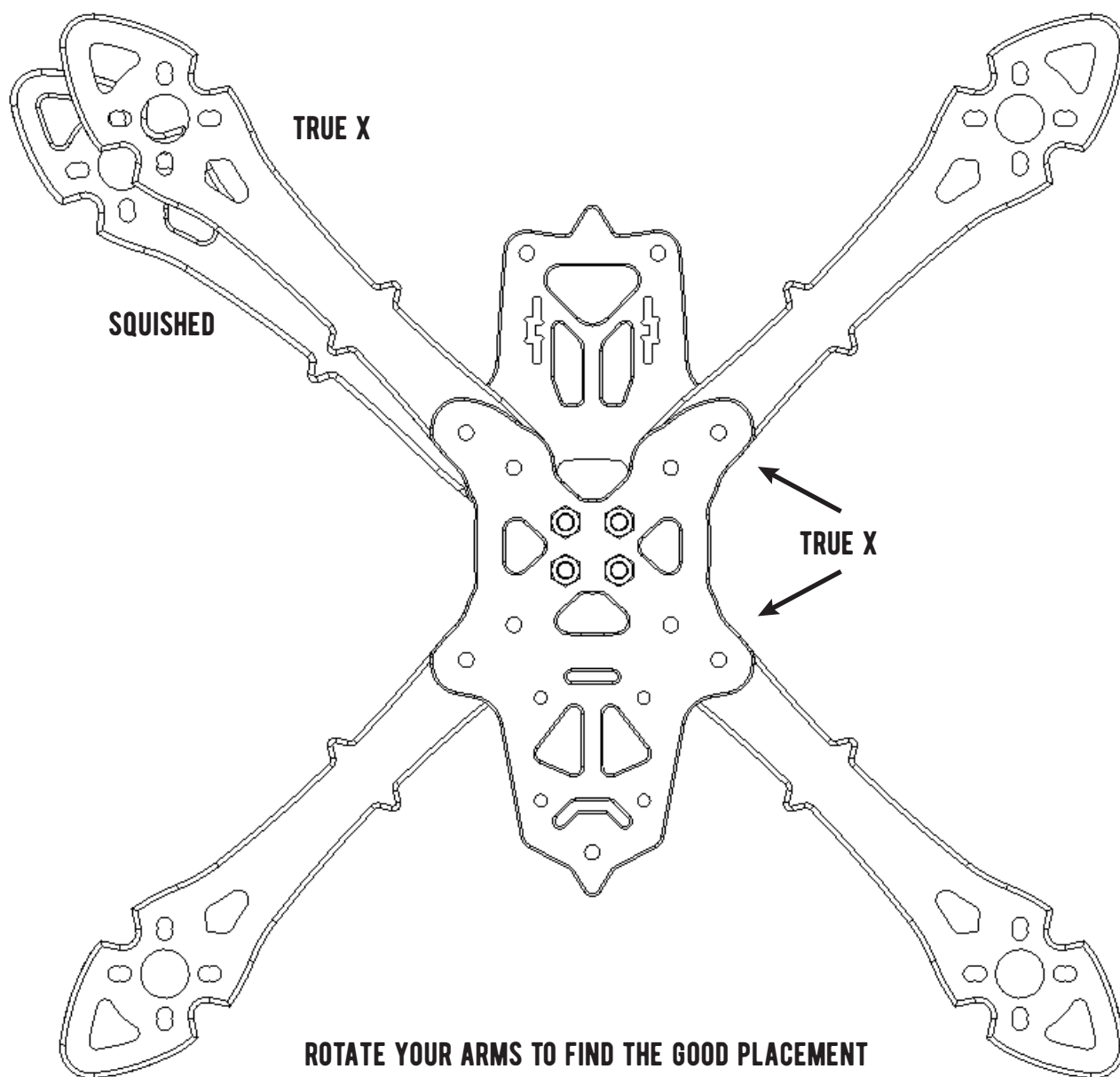
INSTALL THEM BEFORE MAKING YOUR ASSEMBLY



USE A BIG SCREW TO INSERT THE PRESSNUTS ONE BY ONE

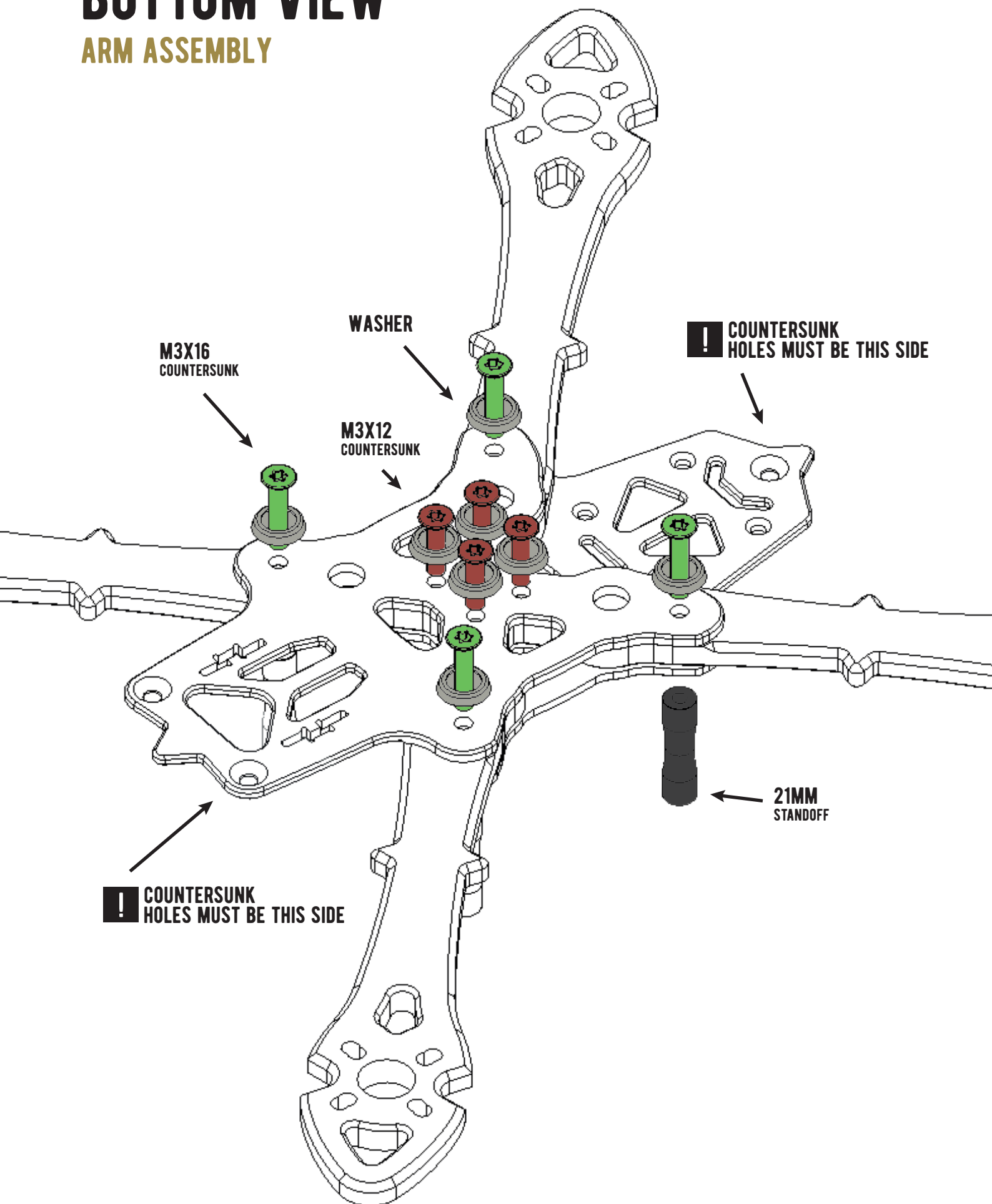
GEOMETRY

IT IS ADVISABLE TO MOUNT THE HOOK IN TRUEX



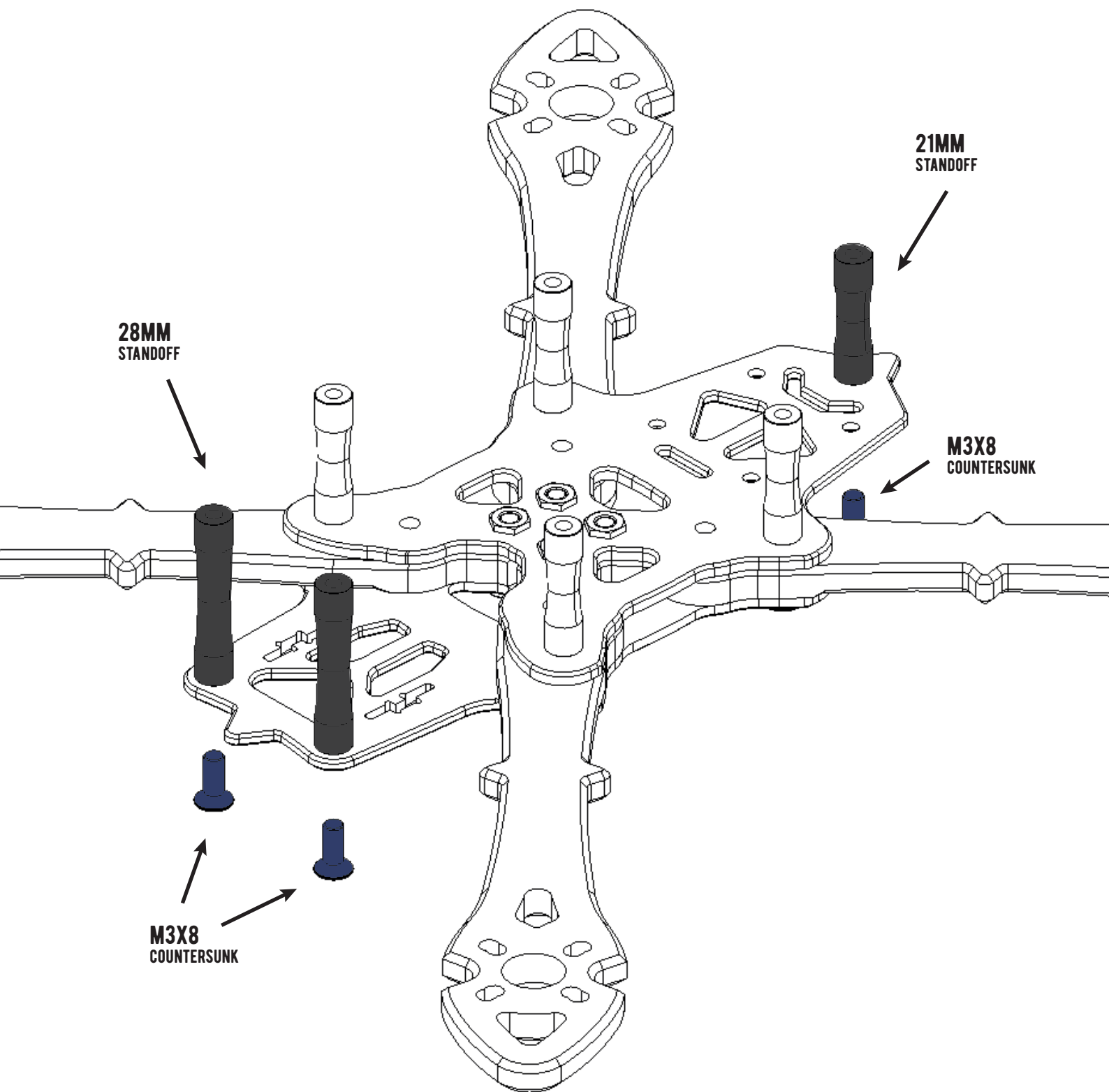
BOTTOM VIEW

ARM ASSEMBLY



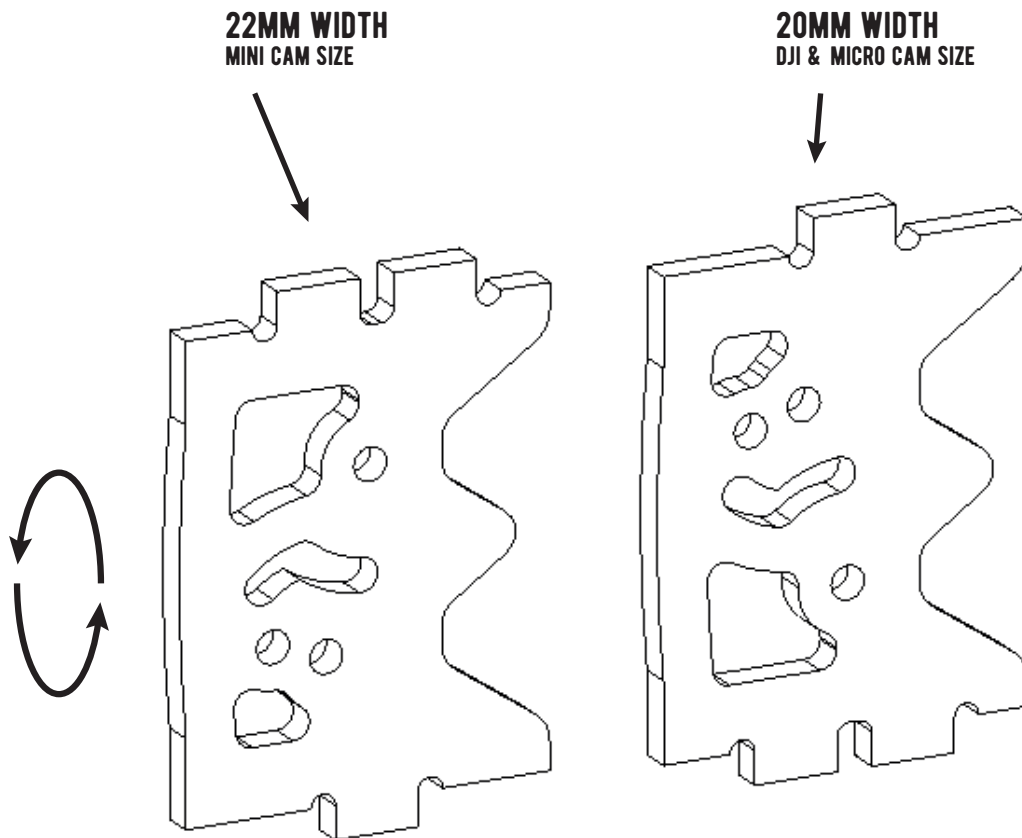
TOP VIEW

FRONT & REAR STANDOFFS



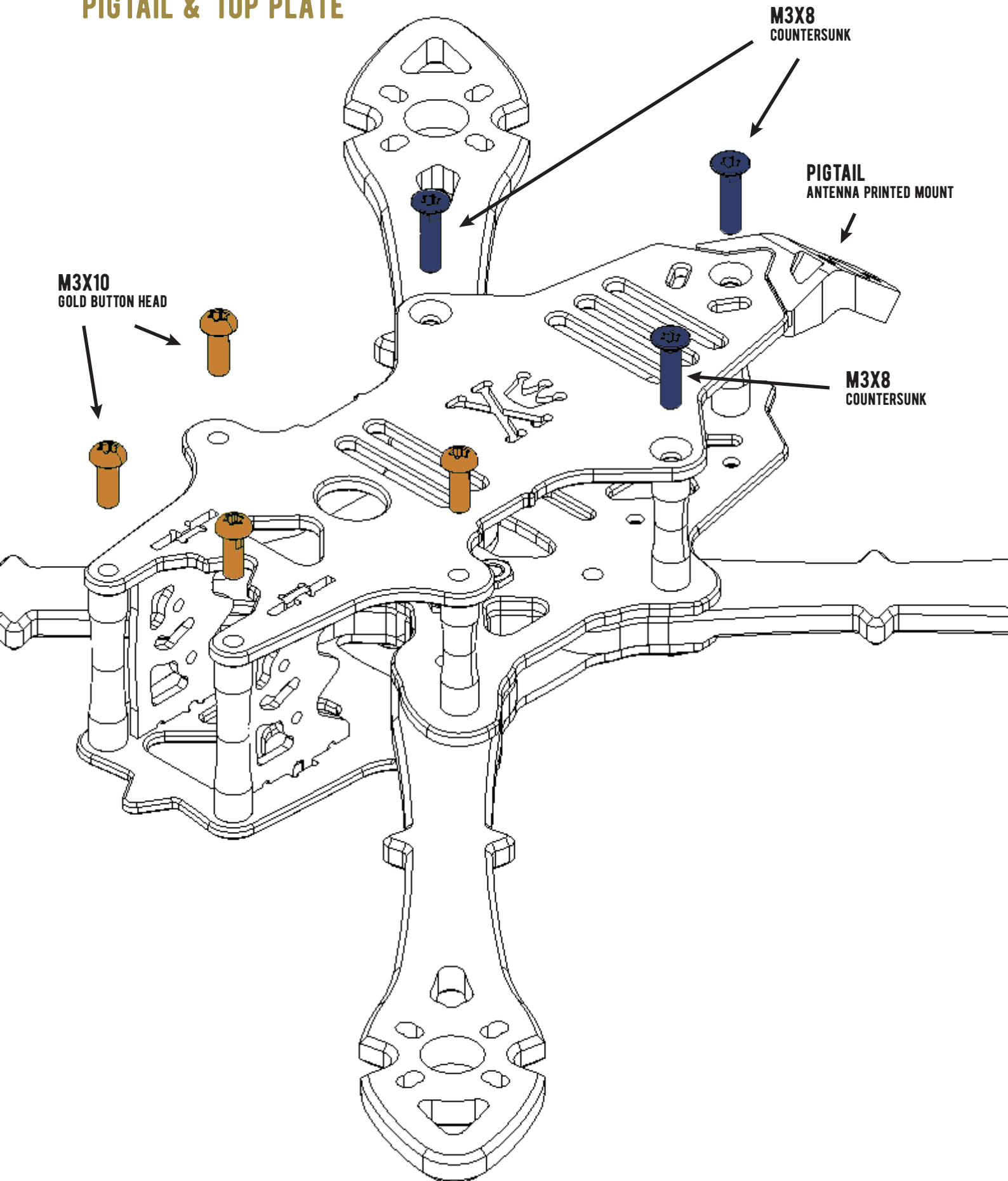
CAMPLATES

CHOOSE THE GOOD ORIENTATION
DEPENDING ON THE SIZE OF YOUR CAMERA,



TOP VIEW

PIGTAIL & TOP PLATE



OPTIONNAL

PRINTED PARTS

